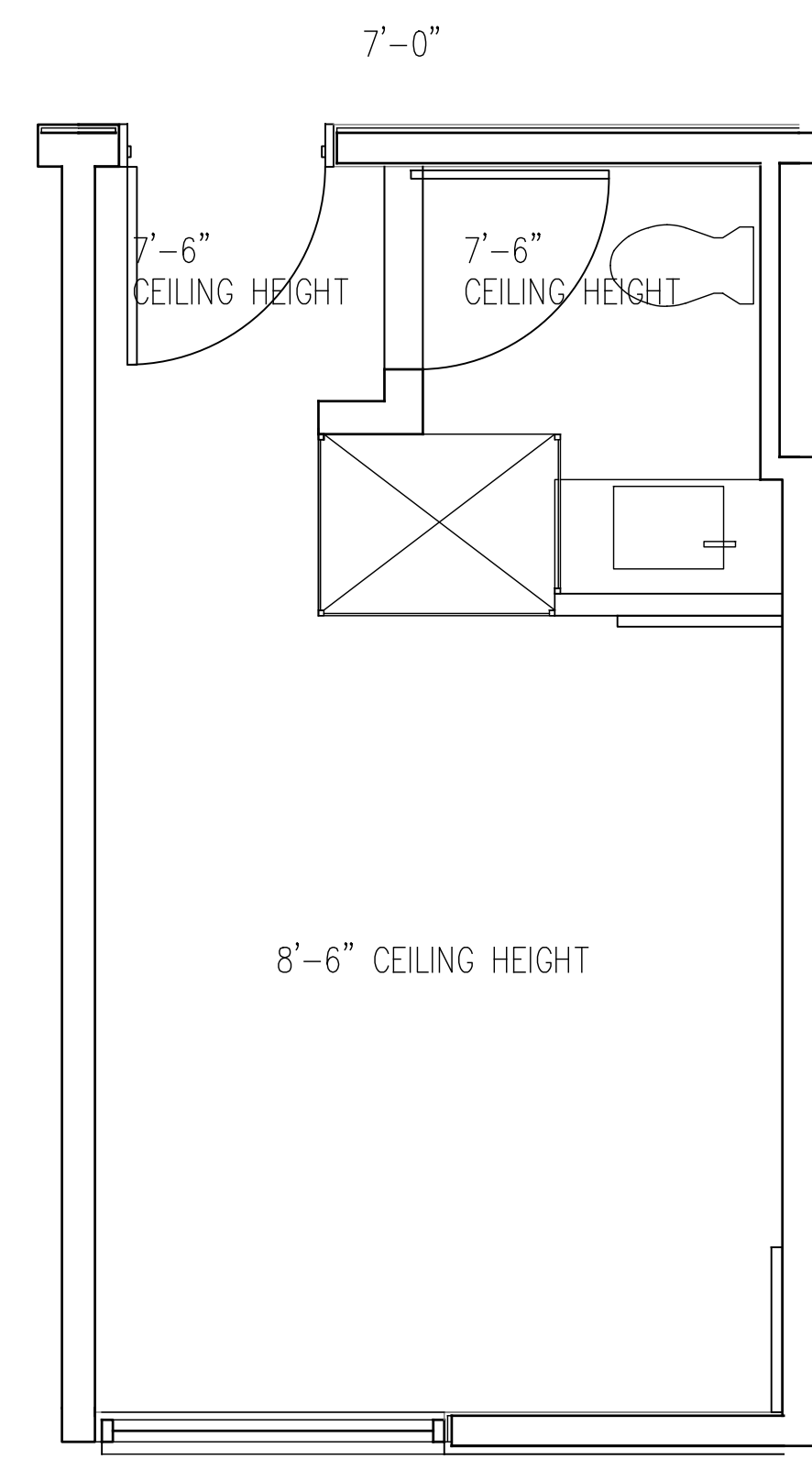


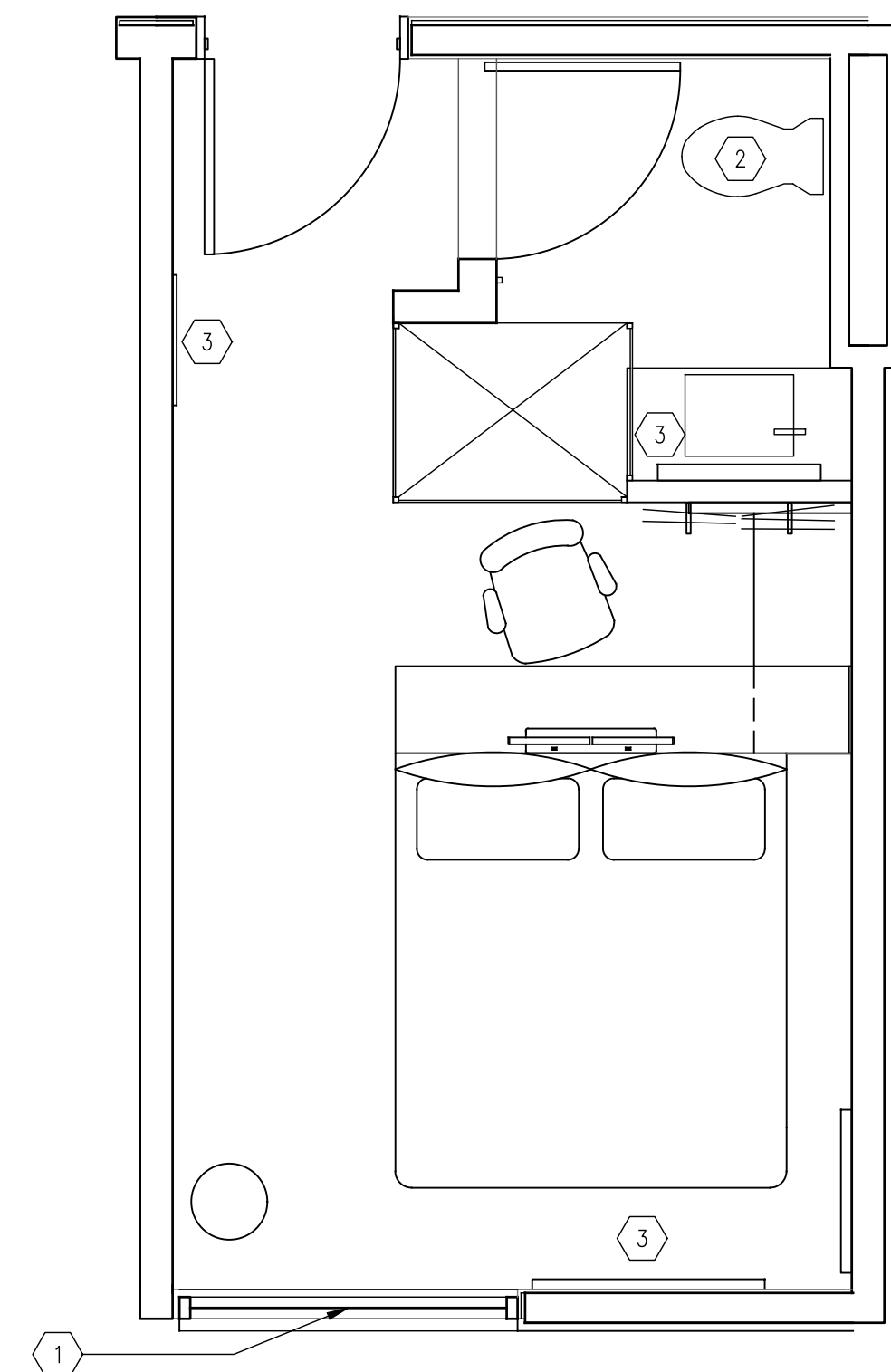
K1 FINISH PLAN SCALE: 3/8" = 1'-0" 15



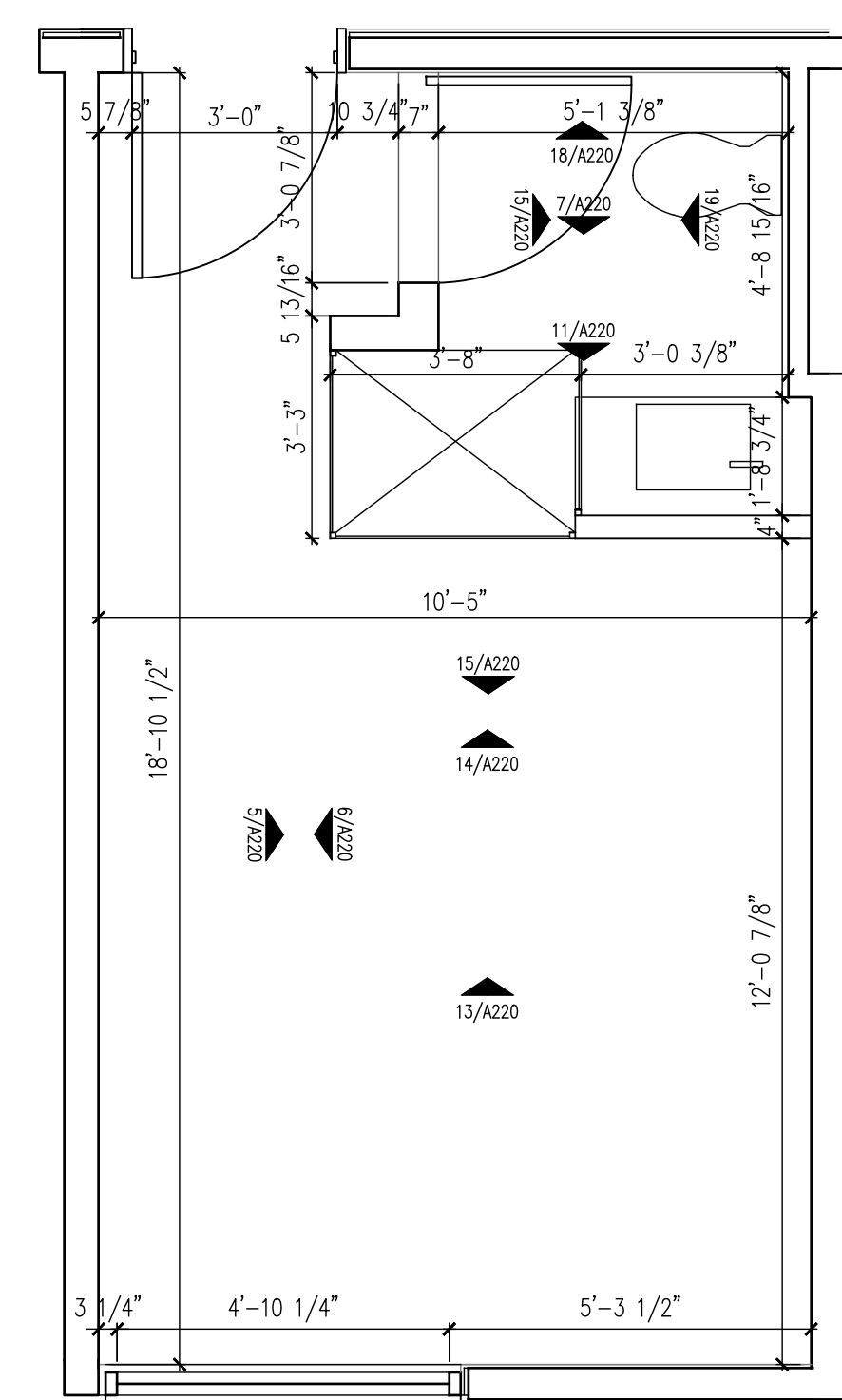
K1 REFLECTED CEILING PLAN SCALE: 3/8" = 1'-0" 7

- KEY NOTES:**
- 1 REFER TO CORRIDOR PLAN BY FLOOR FOR SPECIFIC WINDOW LOCATIONS. POSITION OF WALL MIRROR, TV, AND LIGHT FIXTURES MIGHT MOVE BASED ON THE WINDOW LAYOUT.
 - 2 REFER TO PLUMBING SCHEDULE FOR FIXTURE INFORMATION
 - 3 PROVIDE BLOCKING IN WALL AT ALL MIRRORS, TVS, AND WALL HUNG BARN DOORS
 - 4 PROVIDE INSULATION AROUND EXPOSED PIPES BELOW VANITY
 - 5 SHOWER ENCLOSURE WITH TEMPERED GLASS. TO BE ETCHED OR HAVE FILM TO MINIMIZE TRANSPARENCY
 - 6 FLOOR DRAIN AT ROLL-IN SHOWER. REFER TO DETAILS
 - 7 PREMANUFACTURED SHOWER PAN
 - 8 WALL MOUNTED SHOWER ROD--PROVIDE BLOCKING AS REQ'D
 - 9 GRAB BARS AT ADA ROOMS. PROVIDE BLOCKING.
 - 10 60" TURNING RADIUS AS REQUIRED AT ADA ROOMS.
 - 11 30" X 60" CLEAR FLOOR SPACE IN FRONT OF TUB AS REQUIRED AT ADA ROOMS.
 - 12 30" X 48" CLEAR SPACE AT VANITY AS REQUIRED AT ADA ROOMS.
 - 13 PROVIDE SIDE CHANNELS AT MULLIONS TO PREVENT LIGHT LEAK AROUND EDGES OF ROLLER SHADES.
 - 14 BOTTOM OF REFLECTIVE SURFACE OF MIRROR TO BE MOUNTED AT 40" AFF
 - 15 ACCESS PANELS AS REQUIRED.
 - 16 PIVOT DOOR TO BE ATTACHED TOP AND AT BOTTOM INTO GRANITE THRESHOLD.
 - 17 ROOM SIGNAGE
 - 18 WINDOW PER SCHEDULE

INTERIOR KEYNOTES



K1 FURNITURE PLAN SCALE: 3/8" = 1'-0" 13



K1 FLOOR PLAN SCALE: 3/8" = 1'-0" 5

1. CASEGOODS, SIGNATURE ELEMENTS AND PRINTED GOODS ARE PROPRIETARY TO THE BVI Vīb AND ARE NOT AVAILABLE FOR PROJECTS BEYOND THE Vīb PROTOTYPE
2. INTERIOR SPECIFICATIONS FOR COFFEE BAR AVAILABLE THROUGH BEST WESTERN SUPPLY AND STUDIO DESIGN.
CONTACT: 800-528-3601
OPTION 4 FOR ADDITIONAL INFORMATION
3. SHOWER ENCLOSURE AND VANITY INTERIOR SPECIFICATION AVAILABLE THROUGH BEST WESTERN SUPPLY AND STUDIO DESIGN.
CONTACT: 800-528-3601
OPTION 4 FOR ADDITIONAL INFORMATION

GENERAL NOTES

RESPONSIBILITIES:
YOU EXPRESSLY UNDERSTAND AND AGREE THAT: YOUR USE OF AND RELIANCE UPON ANY AND ALL OF THE PLANS, SPECIFICATIONS AND/OR RELATED CONTENT (COLLECTIVELY, "PLANS") PROVIDED BY BEST WESTERN INTERNATIONAL, INC. ("BWI"), IS AT YOUR SOLE RISK AND IS MADE AVAILABLE ON AN "AS IS" AND "AS AVAILABLE" BASIS. BWI MAKES NO EXPRESS OR IMPLIED REPRESENTATIONS, WARRANTIES, OR GUARANTEES WITH REGARD TO THE APPROPRIATENESS, ACCURACY, SUFFICIENCY, CORRECTNESS, VERACITY, VALUE, COMPLETENESS, OR TIMELINESS OF THE BWI PLANS, INCLUDING WITHOUT LIMITATION COMPLIANCE WITH THE AMERICANS WITH DISABILITIES ACT, FEDERAL, STATE OR LOCAL LAWS, RULES, REGULATIONS OR CODE, OR ADEQUACY FOR ANY SPECIFIC OR INTENDED PURPOSE. BWI EXPRESSLY DISCLAIMS ALL WARRANTIES OF ANY KIND, WHETHER EXPRESS OR IMPLIED, INCLUDING, BUT NOT LIMITED TO THE IMPLIED WARRANTIES OF MERCHANTABILITY, FITNESS FOR A PARTICULAR PURPOSE AND NON-INFRINGEMENT.

IN NO EVENT SHALL BWI BE LIABLE FOR ANY DIRECT, INDIRECT, PUNITIVE, INCIDENTAL, SPECIAL, CONSEQUENTIAL DAMAGES OR ANY DAMAGES WHATSOEVER INCLUDING, WITHOUT LIMITATION, DAMAGES FOR LOSS OF USE, DATA OR PROFITS, ARISING OUT OF OR IN ANY WAY CONNECTED WITH THE USE OR PERFORMANCE OF ANY BWI PROVIDED PLANS OR OTHERWISE ARISING OUT OF THE USE OF THE BWI PLANS, IN WHOLE OR IN PART, WHETHER BASED ON CONTRACT, TORT, NEGLIGENCE, STRICT LIABILITY OR OTHERWISE, EVEN IF BWI HAS BEEN ADVISED OF THE POSSIBILITY OF DAMAGES. ALL USE OF THE PLANS IS DONE AT YOUR OWN DISCRETION AND RISK AND YOU WILL BE SOLELY RESPONSIBLE FOR ANY DAMAGE THAT RESULTS THEREFROM.

IF YOU ARE DISSATISFIED WITH ANY PORTION OF THE BWI PLANS, OR WITH ANY OF THESE TERMS OF USE, YOUR SOLE AND EXCLUSIVE REMEDY IS TO DISCONTINUE USING SUCH PLANS. YOU ARE SOLELY RESPONSIBLE FOR DETERMINING THE ADEQUACY AND SUITABILITY OF ANY PLANS FOR YOUR PARTICULAR NEEDS. YOU ARE HEREBY ENCOURAGED BY BWI TO CONSULT WITH THE APPROPRIATE PROFESSIONAL ADVISORS TO DETERMINE THE ADEQUACY, SUITABILITY AND COMPLIANCE WITH APPLICABLE LAWS FOR ANY SUCH PLANS.

NOT FOR CONSTRUCTION

NO.	DATE	ISSUE

PROJECT NAME:
Vīb

PROJECT NUMBER:
15-Vīb-V1

DATE: 5-4-17

SHEET DESCRIPTION:
ENLARGED GUESTROOM PLANS TYPICAL KING

SCALE: 1"
SHEET NUMBER:
A130
KING GUESTROOM